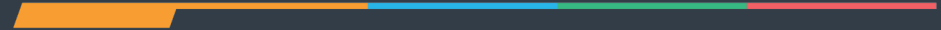




FAVRE-LEUBA



RAIDER BATHY MEMODEPTH

USER MANUAL & WARRANTY

USER MANUAL AND WARRANTY

The history of Favre-Leuba is shaped throughout by a pioneering spirit and a willingness to break new ground. By the unswerving pursuit of the exceptional. By brilliant creativity and technical excellence. By highly functional and reliable timepieces for those who conquer frontiers, whether in altitude or depth, in heat or freezing cold, north or south of the equator.

Still today, our watches are intended for those who are not held back by seemingly fixed limits and who will not be deterred from achieving their goals. We are therefore

delighted that you too have opted for a model from Favre-Leuba! Your watch has been made to the highest quality standards and with the best materials by qualified watchmakers. In order to ensure that you will be able to enjoy your Favre-Leuba watch for a long time to come, we ask that you take note of the information and instructions contained in this User and Warranty Manual.

We hope you will enjoy many unforgettable hours, minutes and seconds with your Favre-Leuba watch.

Your Favre-Leuba Team

CONTENT

INTERNATIONAL FAVRE-LEUBA WARRANTY	4
USER MANUAL	
Functions of the crown	5
Functions of the reset pusher	5
Winding the watch	6
Setting the time and stopping the second hand	6
Quick adjustment of the date	6
Reading the power-reserve indicator	6
Use of the rotating bezel	6
Functions and use of the depth gauge	6
Reading the maximum depth (memo depth)	6
TOLERANCES FOR WATCH MOVEMENTS	
Mechanical movements	7
RECOMMENDATIONS FOR CARE AND MAINTENANCE	
Water-resistance	7
Ratings for water-resistance of watches	7
Care instructions	8
Servicing your watch	9
MATERIALS	
Titanium case	9
Sapphire glass	9
Rubber straps	9
Luminosity of hands and index marks	9

INTERNATIONAL FAVRE-LEUBA WARRANTY

Every watch from Favre-Leuba is made carefully to the highest quality standards and undergoes the strictest controls before it is put on sale. If defects nevertheless occur, Favre-Leuba AG provides you with an international warranty for sixty (60) months from the date of purchase in accordance with the provisions below. The warranty covers material and manufacturing faults, which existed when the purchased Favre-Leuba watch was delivered.

Please note that the international Favre-Leuba warranty only comes into force if the warranty certificate has been filled out and registered completely and correctly by an official Favre-Leuba retailer. During the warranty period, you can arrange for any material or manufacturing fault covered by the warranty to be repaired free of charge on presentation of the valid warranty certificate, however shipping charges will be levied as applicable. If it is not possible to rectify the defect and restore normal use of your Favre-Leuba watch by repairing it, Favre-Leuba AG guarantees to replace it with a Favre-Leuba watch with identical or similar features. Favre-Leuba AG in turn provides you with an international warranty for the replacement watch of sixty (60) months from the date of your receipt of that replacement watch. Upon expiration of the warranty period, any repairs will be subject to a service charge as defined by the brand.

Excluded from the international Favre-Leuba warranty are:

- defects and damages caused by loss, theft, fire or other factors outside the area of responsibility of Favre-Leuba AG;
- defects resulting from normal wear and ageing (e.g. scratches to the glass, color or material changes to straps made of non-metallic materials such as leather, textile or rubber; natural wearing of the coating);
- damage to watch parts as a result of incorrect, improper treatment, a lack of care, accidents (impacts, dents, breaks, broken glass), inappropriate use of the watch and failure to comply with the user manual provided by Favre-Leuba AG;
- damage or loss of any sort, which could probably be seen as caused by the use, stopping, defects or inaccurate functioning of a Favre-Leuba watch;
- Favre-Leuba watches that have been damaged by handling by unauthorized third parties (e.g. when replacing the battery, during the provision of unauthorized customer services, servicing or repair work) or the original condition of which has been altered without the involvement of Favre-Leuba AG;
- routine servicing and repair work.

Any further claims against Favre-Leuba AG are expressly excluded, e.g. compensation for damage not covered by the above warranty. Rights to which you are anyway entitled in respect of Favre-Leuba AG under statutory provisions are excluded from this regulation.

The above international Favre-Leuba warranty:

- is independent of any warranty provided by the retailer, for which the latter alone is responsible.
- does not limit either the rights of the customer in respect of the retailer or any other rights that the customer has in respect of the retailer on the basis of mandatory statutory provisions.

For repairs or service, please contact official Favre-Leuba service centers or authorized Favre-Leuba retailers. They will provide all of the services and carry out any work required in accordance with our high standards.

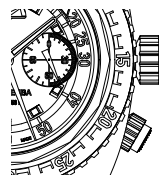
The addresses of the official Favre-Leuba service centers and of authorized Favre-Leuba retailers can be found on our website at www.favre-leuba.com.

USER MANUAL

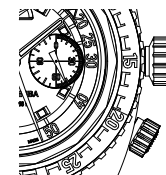


- | | |
|-----------------------------------|--|
| A: Dive depth indicator | F: Minute hand |
| B: Power-reserve indicator | G: Unidirectional rotating bezel |
| C: Hour hand | H: Crown |
| D: Second hand | I: Reset pusher |
| E: Date display | J: Depth gauge subdial for maximum depth record |
| | K: Hand to display current dive depth |

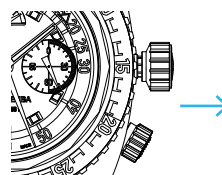
FUNCTIONS OF THE CROWN



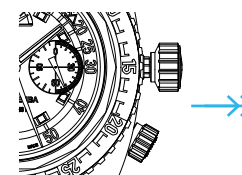
Position 0:
Normal position
Crown closed and screwed-in



Position 1:
Winding position
Unscrewed crown

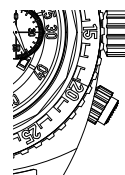


Position 2:
Date setting

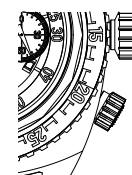


Position 3:
Time setting

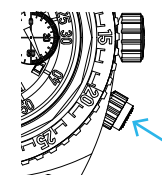
FUNCTIONS OF THE RESET PUSHER



Position 0:
Normal position
Reset pusher screwed-in



Position 1:
Unscrewed reset pusher



Position 2:
Push reset puser
to bring it back in
Position 0

USER MANUAL

WINDING THE WATCH

To wind the watch, release the screwed-in crown (H) by turning it counterclockwise and thus moving it to position 1. Then turn the crown through approximately 40 clockwise rotations to wind the watch up fully. Stop winding the watch as soon as you feel any

resistance. Then screw in the crown again by pressing and simultaneously turning it clockwise to position 0.

SETTING THE TIME AND STOPPING THE SECOND HAND

Pull the crown (H) out to position 3 to set the time, which stops the movement. Turn the crown in the appropriate direction so that the hands (C and F) show the time required.

Then push the crown back into position 0. If the hour hand (C) moves past midnight (24.00) when setting the time, the date display (E) jumps forward by one.

QUICK ADJUSTMENT OF THE DATE

In months with fewer than 31 days, manual adjustment of the date is necessary. To do so, pull out the crown (H) to position 2. Set the date (E) by turning the crown clockwise. Then push the crown back into

position 0. You should not carry out any quick adjustment of the date between 8.00 p.m. and 2.00 a.m., as the date is automatically being turned on by the movement during this time.

READING THE POWER-RESERVE INDICATOR

The power-reserve indicator (B) shows how far your movement is currently wound. If the hand is pointing at 4/4, the movement is fully wound. When the watch is running, for safety reasons, the bezel can only be rotated

the hand gradually moves to the left. If the hand is pointing to the shaded area between 1/4 and 0, your watch needs to be wound manually using the crown.

USE OF THE ROTATING BEZEL

Before starting a dive, set the zero marking of the rotating bezel (G) to the position of the minute hand (F). By doing this, you can see how much diving time has elapsed while you are diving. For safety reasons, the bezel

can only be rotated counterclockwise. If the rotating bezel is turned accidentally during a dive, this means that a longer diving time is always shown. This reduces the risk of accident.

FUNCTION AND USE OF THE DEPTH GAUGE

Your Raider Bathy 120 MemoDepth can indicate a diving depth of up to 120 meters. Water enters a separate chamber in the watch through a perforation in the housing. Here it comes in contact with a membrane that is temporarily deformed as a result of the increasing water pressure. A mechanical contact sensor inside the watch reacts to the deformation and transmits this information to the hands via a gear mechanism. The depth of up to 120 m is read off using the central pointer on a linear scale on the outer edge of the dial. A fine scale allows a detailed reading for the first 30 metres of depth. Two red markings between 3 and 6, and between 9 and 12 markings on the outer edge of the dial also indicate to the diver the most important decompression areas during ascent.

The precision of the depth measurement display can vary by ± 1 m and - from a depth of 20 m - by $\pm 5\%$. Changes in ambient air

pressure, temperature, general weather conditions and altitude above sea level may also affect the accuracy of the depth gauge.

For example:

- The blue center hand can indicate between 11 m and 13 m when the dive depth is 12 m.
- When diving to a depth of 40 m, the displayed depth may be between 38 m and 42 m.
- if you dive in Lake Titicaca situated at 3812 m above sea level, the altitude and surrounding air pressure results in a difference of approximately -2 m before the dive.

Such differences must be included in the displayed dive depth.

* We suggest that you use the Bathy 120 MemoDepth only as a complementary mechanical depth gauge, in addition to your usual diving instruments.

READING THE MAXIMUM DEPTH (MEMO DEPTH)

The Raider Bathy 120 MemoDepth has a memory function. The sub-dial (J) shows the maximum depth you have reached during your dive. As the depth increases the small blue pointer rotates in parallel to the blue center pointer (K). A gear mechanism designed ensures that the pointer on the auxiliary dial (J) stops at the maximum diving

depth so that this maximum diving depth can be reliably read off on a graduated scale. Once the dive is completed and the diver has resurfaced and read this information from the auxiliary dial, the pointer can be reset to zero by means of a screwed pusher (I).

TOLERANCES FOR THE WATCH MOVEMENTS

MECHANICAL MOVEMENTS

The precision of a mechanical movement varies depending on the habits of the person who is wearing the watch.

The accuracy of a mechanical watch from Favre-Leuba is usually between 0 and +14 seconds a day.

RECOMMENDATIONS FOR CARE AND MAINTENANCE

Your Favre-Leuba watch is a precision instrument of the highest quality. In order to ensure that it continues to work perfectly

over many years, we advise you to observe the following recommendations concerning maintenance and service intervals.

WATER-RESISTANCE

The Bathy MemoDepth 120 is water-resistant and can withstand water pressure of 20 bar (depth of 200 meters). The details of the water-resistance of your Favre-Leuba watch is engraved into the base of the case. The absolute water-resistance of a watch is not permanent and can be affected by ageing of the seals or by impacts on the crown. We therefore recommend that you

have the water-resistance of your watch checked annually or after exposure to unusual stress. This check must also be carried out after opening the watch and after servicing. In order to comply with the terms of the warranty, this check must be carried out by an authorized Favre-Leuba service center or an authorized Favre-Leuba retailer.

RATINGS FOR WATER RESISTANCE OF WATCHES

Indication	Spray water	Rain	Showers
30 m / 3 atm / 3 bar	Yes	Yes	No
50 m / 5 atm / 5 bar	Yes	Yes	Yes
100 m / 10 atm / 10 bar	Yes	Yes	Yes
200 m / 20 atm / 20 bar	Yes	Yes	Yes

Indication	Swimming	Snorkeling	Scuba diving
30 m / 3 atm / 3 bar	No	No	No
50 m / 5 atm / 5 bar	Yes	No	No
100 m / 10 atm / 10 bar	Yes	Yes	No
200 m / 20 atm / 20 bar	Yes	Yes	Yes

RECOMMENDATIONS FOR CARE AND MAINTENANCE

CARE INSTRUCTIONS

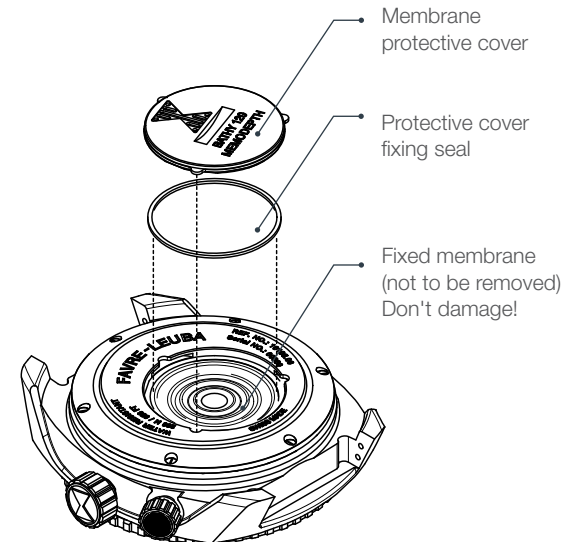
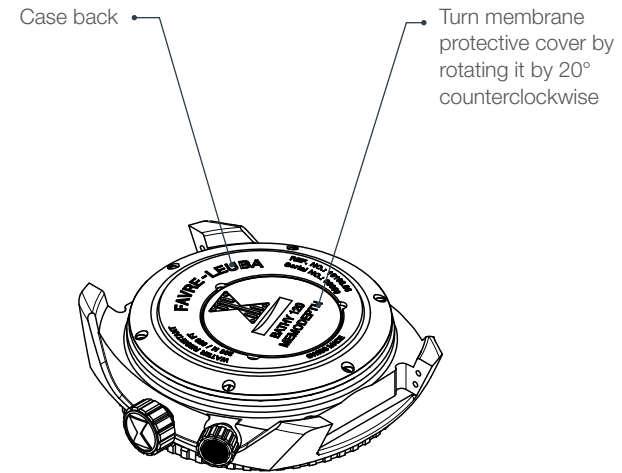
- Do not put your watch on any devices that generate or produce magnetic fields, such as loudspeakers or refrigerators. These magnetic fields can damage your watch.
- Always rinse your watch with fresh water after contact with sea or chlorinated water. Allow leather straps to dry in the air, never on any heating devices.
- As a precaution, avoid thermal and other shocks.
- Always bring the crown back to position 0. This is the only way to ensure that no water can penetrate the case and the movement.
- Clean metallic straps and water-resistant cases with a toothbrush and soapy water. Use a soft cloth for drying.
- Note that chemical products such as solvents and detergents, perfume and cosmetics can damage the strap, case or seals.
- Avoid exposing your watch to extreme temperatures (over 60°C or 140°F and under 0°C or 32°F) and to large temperature fluctuations.
- On the back of the watch, integrated in the case back, you will find the protective cover for the membrane. This can be opened by rotating it counter clockwise by 20 degrees. The cover is used to protect the membrane from possible damage. Hence it should always be carefully locked in position and opened only in case the membrane needs to be cleaned of any

stubborn dirt or salt settlements that may occur after a dive.

In most cases, this can be cleaned by rinsing the chamber through the slots in the protective cover with clear, running water. In case there is a need to open this protective cover to clean the membrane and the chamber, care must be taken to not touch the membrane with any hard, pointed, or sharp objects. Only a soft brush and running water should be used in such a case and once cleaned, the protective cover, along with the rubber seal, should be placed back and locked in position by rotating the cover in the clockwise direction.

Care needs to be taken that this seal used for fastening the protective cover is also properly placed with the protective cover to ensure secure locking. In order not to damage or lose the seal necessary for fastening the protective cover, it is advisable that opening this protective cover to carry out such cleaning be done by an authorised service centre. As the seal is only used to secure the protective cover and has no effect on the water-resistance of the watch, however if the seal is missing or damaged you risk losing the protective cover.

If liquids other than water, for example beverages, enter the depth gauge chamber, please remove the protective cover as per the instructions written above, and rinse the membrane thoroughly. You can undertake such a cleaning process yourself or have it cleaned by an official Favre Leuba Service Center located closest to you. Do note that any damage caused to the membrane during cleaning is excluded from the warranty.



RECOMMENDATIONS FOR CARE AND MAINTENANCE

Equivalent values for water-resistance in both metric and Anglo-Saxon systems:

Unit of measure	Water-resistance			
bar / atm (pressure)	10	20	30	50
m* (meter)	100	200	300	500
psi	145	290	435	725
ft* (foot)	328	656	984	1640

* The values of water depth, given in feet or meters, correspond to the pressure measured during tests in accordance with the ISO 22810 standard.

NOTE:

Information about water-resistance in meters, feet or bar refers to theoretical pressure and temperature test standards and cannot be equated with the actual depth of a dive. With watches that are watertight up to 100 m/10 bar, you can wash your hands, take a shower and go swimming; with watches that are water-resistant from 200 m/20 bar onwards, you can also go diving.

SERVICING YOUR WATCH

All of the parts of your Favre-Leuba watch are made from the best materials. Some of these parts are subject to natural wear. You should therefore have your watch serviced regularly to ensure that it is working perfectly. The frequency of servicing depends on the model, the climate in which the watch is used and the way it is treated. To ensure that your watch continues to function perfectly, you should have it

IMPORTANT:

Please note the following information for the optimal water-resistance of your watch:

- After every action such as manual winding or setting the time, move the crown back into position **1** and lock it by pressing and simultaneously turning it clockwise to position **0**.
- Protect the crown against impacts.
- Never use the crown or buttons under water.

checked by an official Favre-Leuba service center at least once a year. These centers have the tools and equipment required to carry out servicing work professionally, and guarantee that their services meet our strict quality standards.

The addresses of our service centers can be found on our website at www.favre-leuba.com.

MATERIALS

TITANIUM CASE

Favre-Leuba uses grade-5 titanium for the Raider Bathy 120 MemoDepth. Titanium is around 40% lighter than steel, which is particularly

advantageous for a watch of this size. Titanium is hypoallergenic and extremely resistant to corrosion.

SAPPHIRE GLASS

All Favre-Leuba watches have a high-quality sapphire glass. This is made from synthetically manufactured sapphires and is extremely resistant to scratches. In order to ensure that the watch can always be read

very clearly, the sapphire glass used has a non-reflective layer on both sides. This may become scratched during wear. However, this is a natural form of wear and is therefore excluded from the warranty.

RUBBER STRAP

Favre-Leuba straps made from high-quality rubber display outstanding water resistance and resistance to ageing. Along with excellent mechanical properties, they are also characterized by high resistance to aggressive and extreme environmental

conditions. We recommend cleaning a rubber strap regularly with soapy water, especially on the inside.

LUMINOSITY OF HANDS AND INDEX MARKS

In order to allow you to see your Favre-Leuba watch without difficulty even in poor light conditions, the hands and index marks on the dials of most models are provided with Super-LumiNova® luminous pigment. Super-LumiNova® is entirely free from radioactive additives and is charged by sunlight or artificial light, so a watch should not be permanently protected from these light sources.

As the luminescent pigments retain their properties, they can be recharged any number of times. As soon as darkness falls, the luminosity is at its strongest. Within the first 60 minutes, it declines relatively quickly, but gradually thereafter. As a result, you can see the time display very clearly, even after five to six hours.